

**Wireless communication**  
instrument / PC  
instrument / probe

**Smart-plus system**  
Wireless or wired probes automatically  
recognized when connected to the instrument.

**Temperature probe**  
**Pt100 SMART PLUS**  
for Class 200 – 300 portable instruments

**Pt100 SP probes**

General use	Measuring range	Accuracy*	t <sub>63</sub>	Ref.
-------------	-----------------	-----------	-----------------	------

**Pt100 Class 1/3 DIN** (IEC 751 guideline).  
Stainless steel sheath.  
ABS handle (from -40 to +85°C).

from -50 to +250°C

± 0.3% of reading ± 0.25°C

18  
sec.

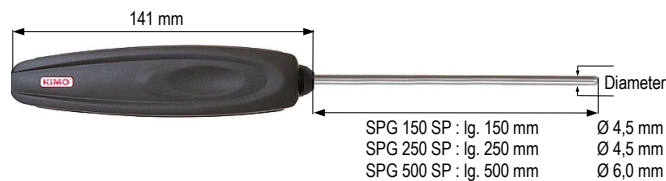
**SPG 150 SP**  
**SPG 250 SP**  
**SPG 500 SP**



Secured mini-DIN connector.



Retractable cable lg. 450 mm,  
up to 2,4 m.



**Pt100 Class 1/3 DIN** (IEC 751 guideline).  
Stainless steel sheath. ABS handle (from -40 to +85°C).

from -50 to +250°C

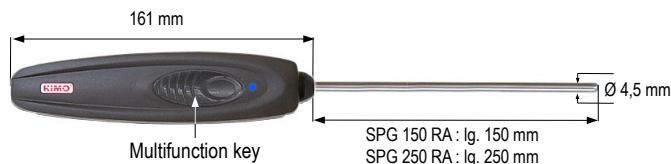
± 0.3% of reading ± 0.25°C

18  
sec.

**SPG 150 RF**  
**SPG 250 RF**



**Wireless communication**  
Max. distance 10 m\*\*



Ambient	Measuring range	Accuracy*	t <sub>63</sub>	Ref.
---------	-----------------	-----------	-----------------	------

**Pt100 Class 1/3 DIN** (IEC 751 guideline).  
Stainless steel sheath with ambient end.  
ABS handle (from -40 to +85°C).

from -50 to +250°C

± 0.3% of reading ± 0.25°C

16  
sec.

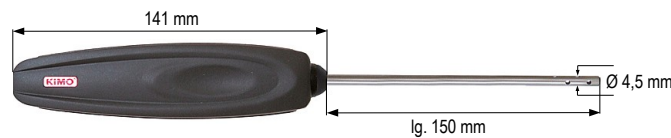
**SPA 150 SP**



Secured mini-DIN connector.



Retractable cable lg. 450 mm,  
up to 2,4 m.



**Pt100 Class 1/3 DIN** (IEC 751 guideline).  
Stainless steel sheath with ambient end.  
ABS handle (from -40 to +85°C).

from -50 to +250°C

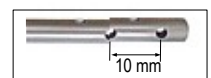
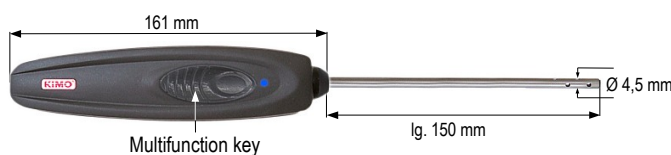
± 0.3% of reading ± 0.25°C

16  
sec.



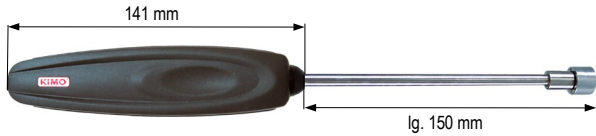
**SPA 150 RF**





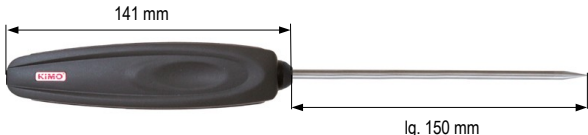
**Wireless communication**  
Max. distance 10 m\*\*



\*All accuracies indicated in this document were stated in laboratory conditions and can be guaranteed for measurements carried out in the same conditions, or carried out with required compensation.  
\*\*in free field


Contact	Measuring range	Accuracy*	t <sub>63</sub>	Ref.
<b>Pt100 Class 1/3 DIN</b> (IEC 751 guideline). Stainless steel sheath with circular end. ABS handle (from -40 to +85°C).  Secured mini-DIN connector.  Retractable cable lg. 450 mm, up to 2,4 m.  141 mm lg. 150 mm	from -50 to +250°C	± 1% of reading ± 0.4°C	25 sec.	<b>SPC 150 SP</b>

<b>Pt100 Class 1/3 DIN</b> (IEC 751 guideline). Stainless steel sheath with circular end. ABS handle (from -40 to +85°C).  <b>Wireless communication</b> Max. distance 10 m**  161 mm lg. 150 mm Multifunction key	from -50 to +250°C	± 1% of reading ± 0.4°C	25 sec.	<b>SPC 150 RF</b>
---	--------------------	-------------------------	---------	-------------------

Penetration	Measuring range	Accuracy*	t <sub>63</sub>	Ref.
<b>Pt100 Class 1/3 DIN</b> (IEC 751 guideline). Stainless steel sheath with pointer tip. ABS handle (from -40 to +85°C).  Secured mini-DIN connector.  Retractable cable lg. 450 mm, up to 2,4 m.  141 mm lg. 150 mm	from -50 to +250°C	± 0.3% of reading ± 0.25°C	16 sec.	<b>SPP 150 SP</b>

<b>Pt100 Class 1/3 DIN</b> (IEC 751 guideline). Stainless steel sheath with pointer tip. ABS handle (from -40 to +85°C).  <b>Wireless communication</b> Max. distance 10 m**  161 mm lg. 150 mm Multifunction key	from -50 to +250°C	± 0.3% of reading ± 0.25°C	16 sec.	<b>SPP 150 RF</b>
--	--------------------	----------------------------	---------	-------------------

## Extension

General use	Ref.
Telescopic extension  Length 1 m.	<b>RTS</b>

\*All accuracies indicated in this document were stated in laboratory conditions and can be guaranteed for measurements carried out in the same conditions, or carried out with required compensation.  
 \*\*in free field